
SMS-400B

StroboVision - Handheld Stroboscope

Features

- High illuminance for industrial applications
- Easy one-hand operation with x2 and ÷2 buttons for a rapid increase / decrease of FPM and fine adjustments
- Removable and rechargeable NiMH-battery with long operation duration
- Phase-shift function for position adjustments and slow-motion effects



Details



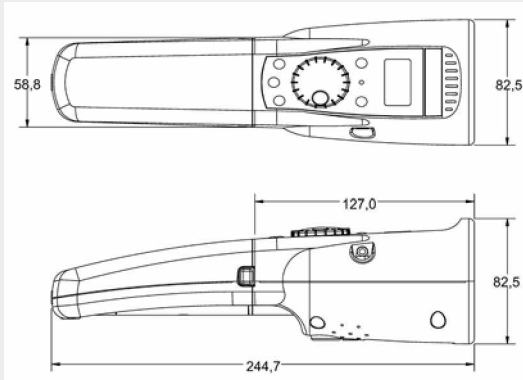
Series SMS-400 stroboscopes are suitable for non-contact RPM measurements and for observation of fast, repeated motions of machines, their moving components or handled material from a distance of 20 to 50 cm.

The revolving or oscillating machine component can be visualised as a stop-motion picture by adjusting the light flashes synchronously to the rate of the movement.

With the multiplier/divider function, the actual RPM or frequency of the motion can be determined accurately. The phase-shift function enables visual positioning of the observed component, as well as the incremental observation of a complete course of motion in 5° steps.

Due to its flash rate with low deviation from the actual motion frequency, the courses of motion can be observed under a slow-motion effect.

Order Info



SMS-400B

Hand-held stroboscope with removable and rechargeable battery pack, universal battery charger with exchangeable plugs, spare flash tube and operation manual in carrying case.

SMS-800	Calibration certificate – Stroboscopes
SMS-932	Spare removable, rechargeable battery 2,6Ah
SMS-908	Spare flash tube
SMS-942	Tripod

Spec

SMS-400B

40...12.500 FPM

0,01% (+/-0,5 FPM)

0,1 FPM

360° (increment 5°)

X 2 | X ½

5 V TTL | Low <0,5V / High>4,0V / pulse length 20-24µs

5 V TTL | Low <0,8V / High>2,8V / pulse > 5µs

2x8-digit Dot-Matrix

> 400 Lux @ D=10cm

> 150 Lux @ D=20cm

Xenon 10 W

> 100 mio flashes

10...15 µsec / ~ 154 mJ

Removable rechargeable NiMH battery pack 2,6Ah

app. 120 min @ 1500 fpm / app. 2-4 h

9

100...240 VAC (50...60Hz) universal adapter EU/USA/GB/AUS

10...40° C

-20...45° C

640 g

Polycarbonate

1/4-20unc, length 8mm

Range

Accuracy

Resolution

Phase Shift

Multiplier

Output Signal

Input Signal

Display

Illuminance

Flash Tube

Battery

Power Supply

Temperature Range

Weight

Housing Material

Tripod Fixing

Type / Specification

Type / Specification

Display type

50 cm distance
6.000 fpm

Type

Life time

flashing time / flash energy

Type

operation/ recharge time

overcharge protection

Battery charger

Operation

Storage

Instrument with battery