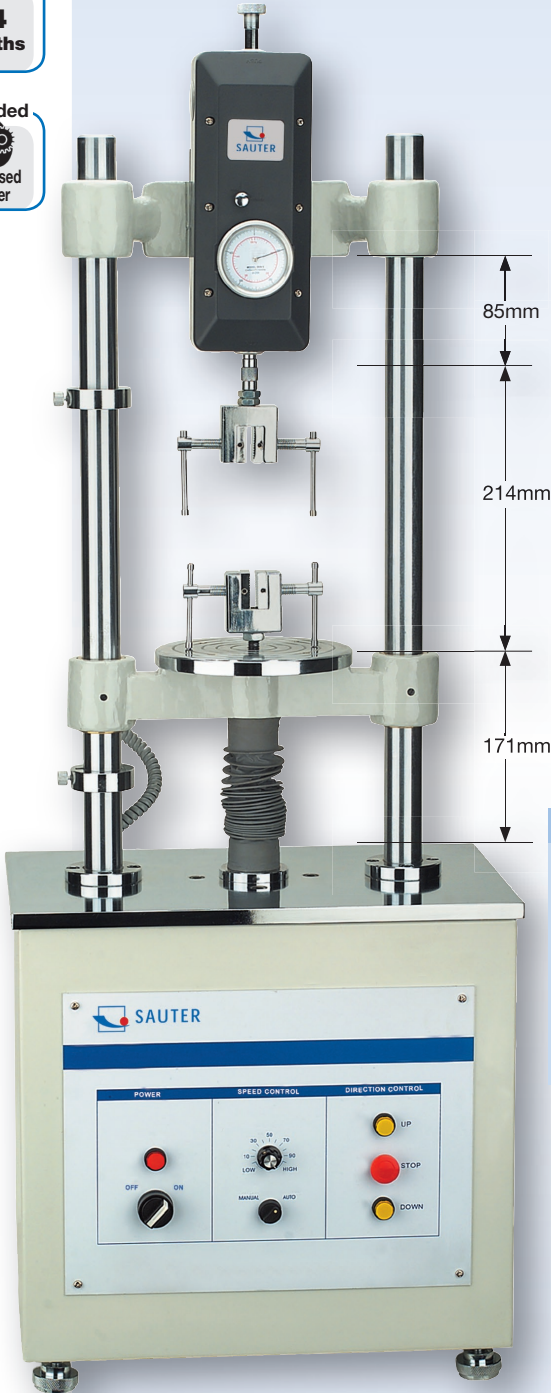


Warranty

24
Months

Included


motorised
Power



Shown with SAUTER FB
(not included in delivery)

SAUTER TVM:

Superior measure quality due to precision chassis for force ranges up to 5.000 Newton (standard)

Technical Highlights:

Capacity: up to 5.000 Newton (standard)

Various possibilities for solid fixture mountings

Maximum travel: 214 mm (automatic safety shutdown by limit switches)

Lowest starting point of the carriage above base plate: 171 mm; Maximum carriage height above base plate: 385 mm

Minimum Distance between carriage and bottom of upper object mounting (X): 85 mm

Height: 1015 mm / Length: 400 mm / Depth: 256 mm

Speed range: 0 – 240 mm / min (standard)

Weight: 58 kg

Can be used with all SAUTER gauges

SAUTER TVM Premium Edition (TVM-P)



Spezifikationen like TVE Standard, additional:

- **Force controlled automatic switchoff** (Teststop after achievement of adjusted limit load)
- **Repead-function for durability tests** (multiple up and down, up to 1 Mio. recurrences)

Model	Maximum Force	Maximum Speed
TVM 2000N600	— 2 000 N	— 600 mm/min
TVM 5000N240	— 5 000 N	— 240 mm/min
TVM 8000N120	— 8 000 N	— 120 mm/min
TVM-P 5000N300	· 5 000 N	· 300 mm/min
TVM-P 10KN300	· 10 000 N	· 300 mm/min
TVM-P 20KN300	· 20 000 N	· 300 mm/min
TVM-P 30KN300	· 30 000 N	· 300 mm/min